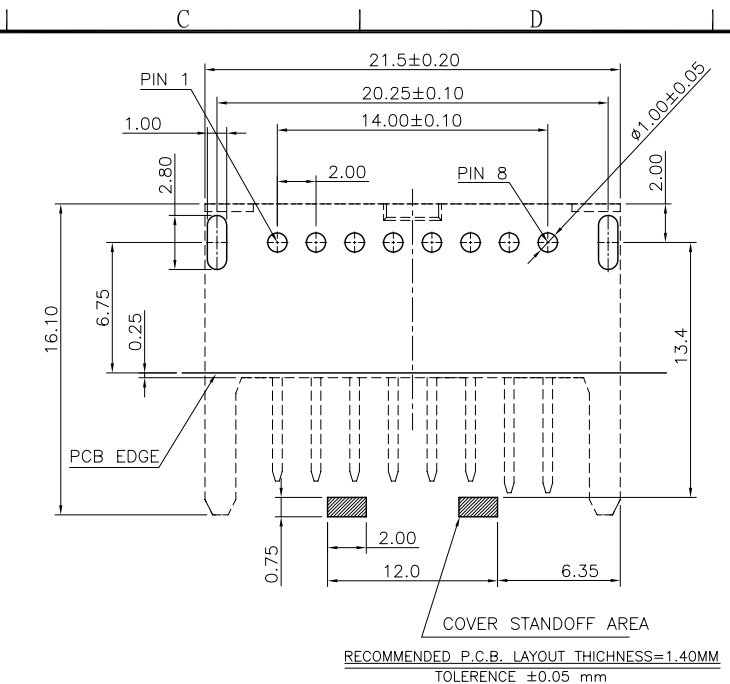
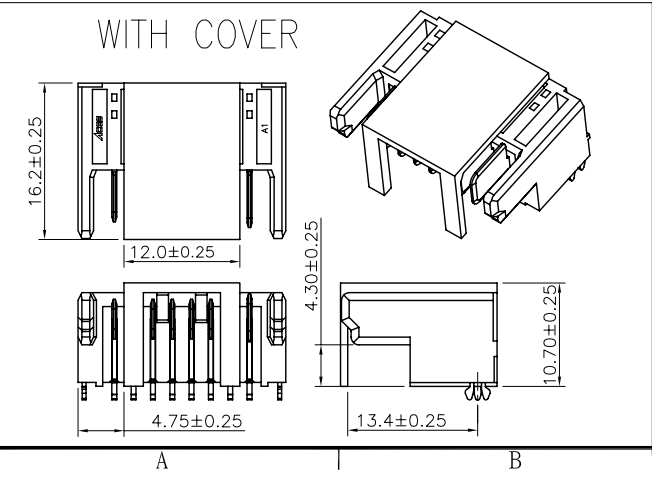
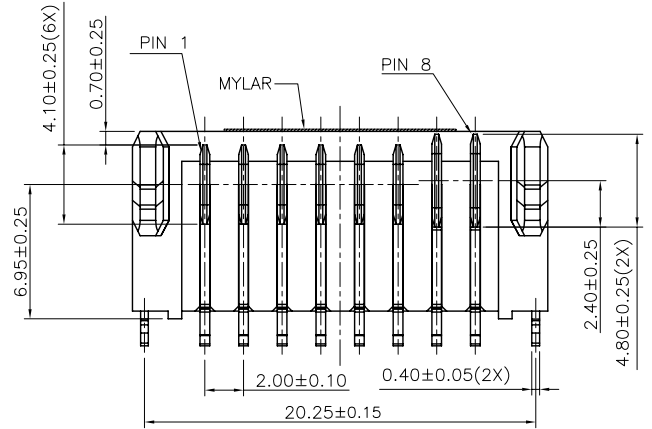
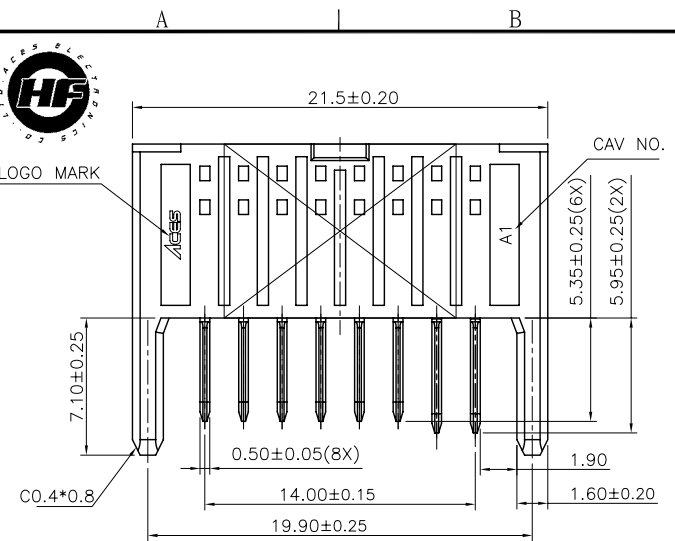
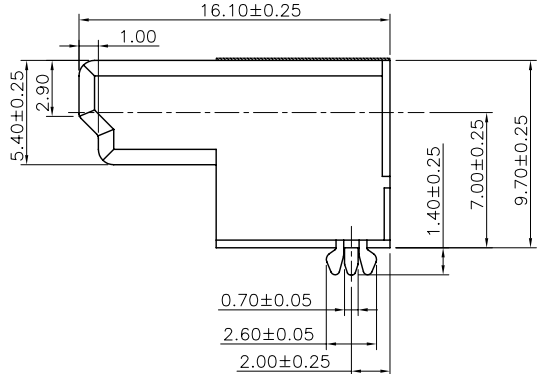




LOGO MARK



RECOMMENDED P.C.B. LAYOUT THICKNESS=1.40MM
TOLERANCE ±0.05 mm



NOTES:

- ELECTRICAL CHARACTERISTICS:
 - 1-1.LOW LEVEL CONTACT RESISTANCE(DRY CIRCUIT) 20 MILLIOHMS MAX. INITIAL.
 - 1-2.DIELECTRIC WITHSTANDING VOLTAGE :500VAC AT SEA LEVEL
 - 1-3.INSULATION RESISTANCE:1000 MEGAOHMS MIN. INITIAL.
- PERFORMANCE:
 - 2-1.VOLTAGE RATING:30V DC MAX.
 - 2-2.CURRENT RATING:7.0 Amps MAX.PER CONTACT
 - 2-3.OPERATING TEMPERATURE: -40°C TO +85°C.
- MECHANICAL:
 - 3-1.DURABILITY (MATING/UMATING CYCLES):5000 CYCLES.
 - 3-2.MATING FORCE :0.25kgf MAX PER PIN
UMATING FORCE : 0.02 kgf MIN PER PIN
- MATERIAL:
 - 4.1 HOUSING: HIGH TEMP THERMO-PLASTIC, UL94V-0; MOLDEL COLOR:BLACK.
 - 4.2 CONTACT: COPPER ALLOY
- FINISH:
 - 5.1 50u"~100u" NICKEL UNDERPLATNG OVERALL.
 - 4:3u"GOLD PLATING ON CONTACT AREA, 100u"~200u" MATT TIN PLATING ON SOLDER AREA.
- SPEC.PLS.REFER TO PS-53046-XXXXX-XXX.
- PACKAGE PLS. REFER TO 53046-XXXXX-03-TRP.
- REMARK: MOISTURE SENSITIVE DEVICE MSL6-AFTER PACKAGING HAS BEEN OPENDE 8 HOURS. PARTS MUST BE BAKED FOR MIN 5 DAYS AT 40°C & <5% RH.
- PART NUMBER

53046-XXX X X-XXX

NO OF CKT
008: 8PIN

PACKING
0:TAPE & REEL
4:TAPE & REEL WITH MYLAR
7:TAPE & REEL WITH COVER

XXX	COLOR	MATERIAL	HF
001	BLACK	PIF PLASTIC	Y

PLATING
4:3u"GOLD ON CONTACT
MATT TIN ON SOLDER AREA

一般公差 TOLERANCES X ±0.5 XX ±0.15 X ±0.25 .XXX ±0.1 ANGLES ±2°		宏致電子股份有限公司 Aces Electronics Co.,Ltd.	
檢驗尺寸標示 SYMBOLS INDICATE CLASSIFICATION DIMENSION MARK IS CRITICAL DIM. MARK IS MAJOR DIM.	品名 (TITLE) 2.0mm BATTERY CONN DIP TYPE	製圖 (DR) GUKEQING 16'/01/08 審核 (CHKD) ANDREW	圖號 (DWG NO.) 53046-XXXXX-XXX 核准 (APPD) CHARLESLEE
表面處理 (FINISH)	比例 (SCALE) 4:1	單位 (UNITS) mm	張數 (SHEET) 1 OF 1 SIZE A4 REV A